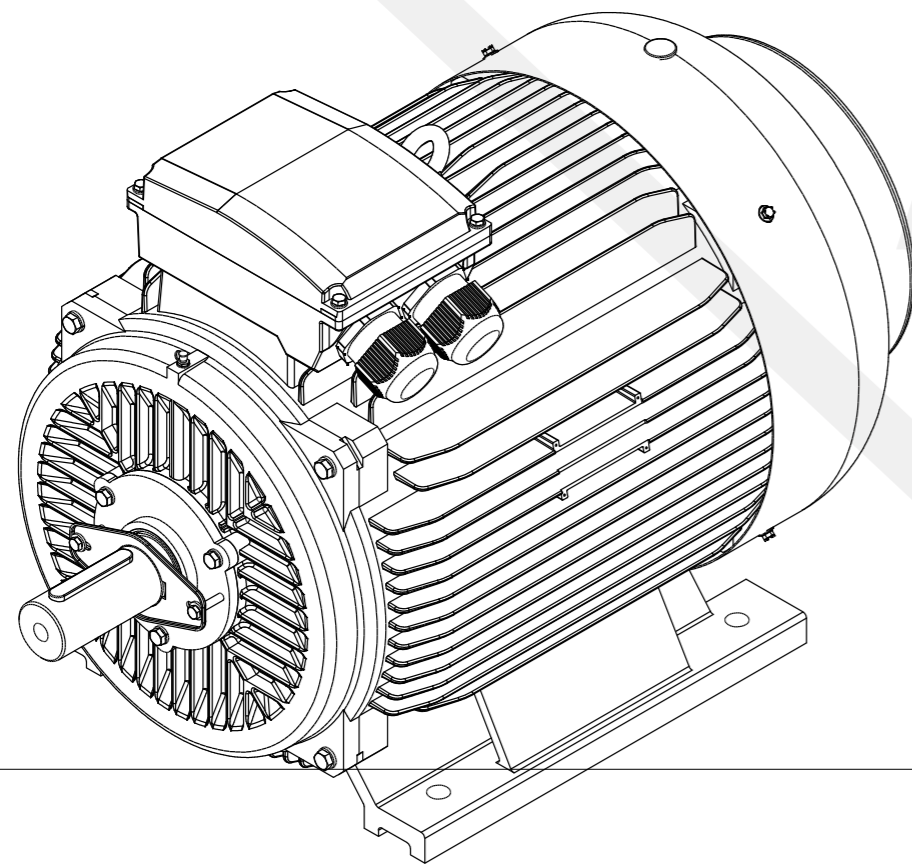
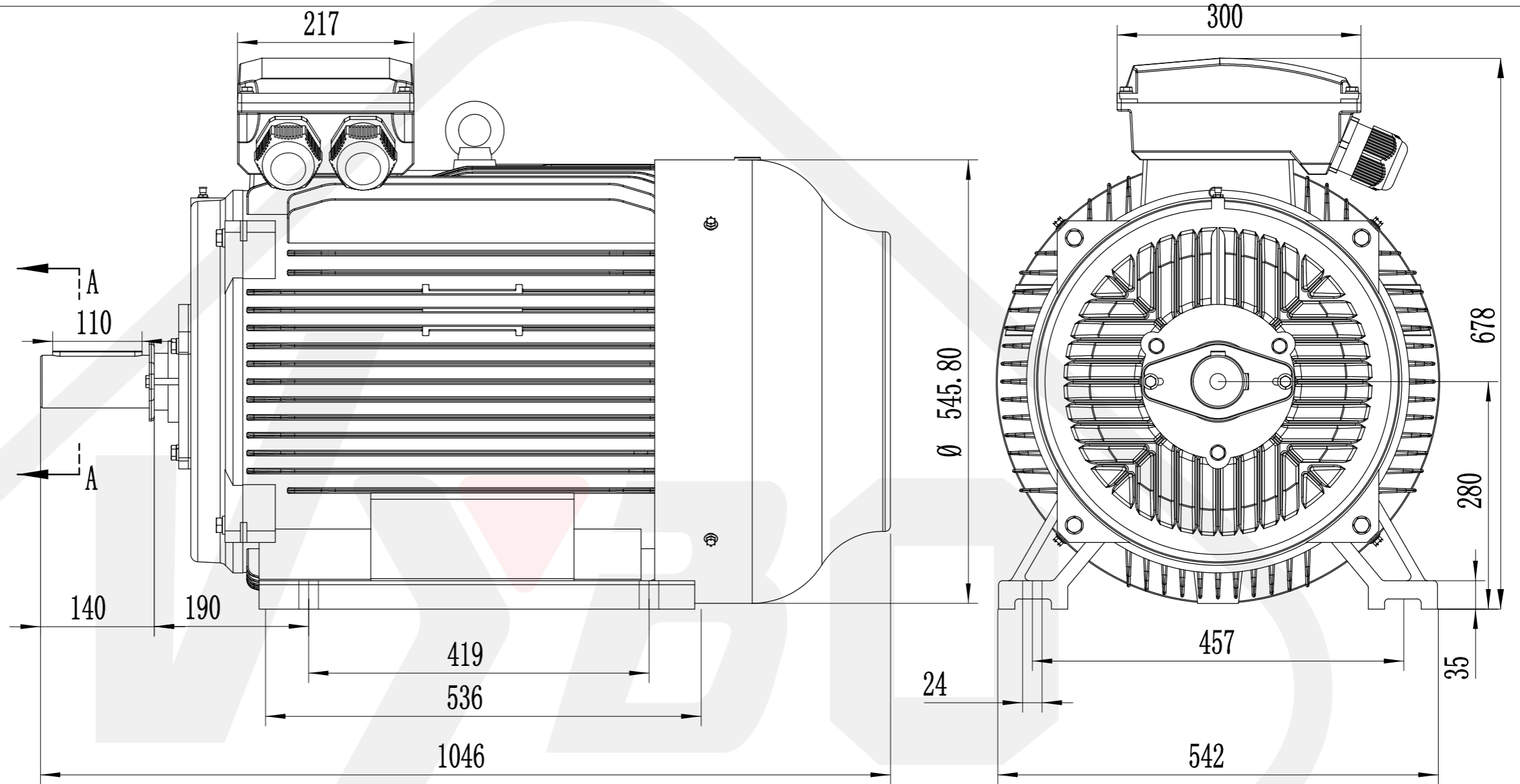
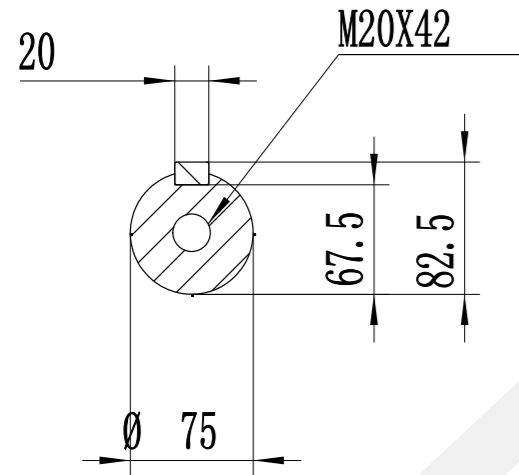




A

1 : 4



*Electric*  s.r.o.

2LC-280M-B3  
Mounting diagram